

solstice

All-in-One LED

LED has never been so accessible.

Deploy the power and flexibility of AIO LED



Retail



Education



Corporate

Key advantages of AIO LED

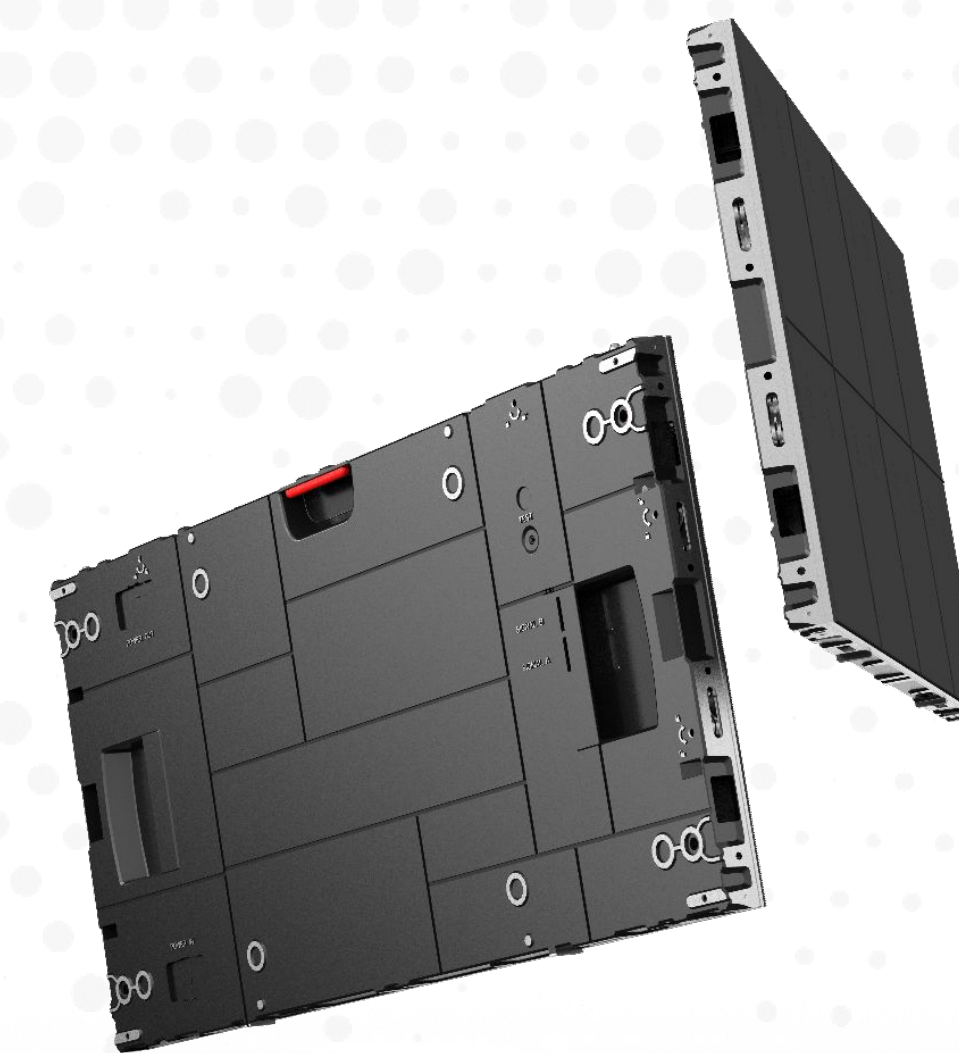
Discover the convenience and brilliance of All-in-One (AIO) LED displays. Engineered for simplicity and superior performance, AIO LED displays integrate the LED panel, controller, and power supply into a single sleek unit, eliminating the need for complex setups.

- **Instant Plug-and-Play function:** Simply plug the device in, and it's ready to use, ideal for users who are not tech-savvy
- **Reduced installation time:** One single box includes everything, pre-configured, to replace a standard 2x2 video wall setup, designed to be installed by 2 people in less than 90 minutes
- **Lower cost of ownership:** Help your customers meet their TCO and sustainability targets
- **Make your customers' content shine:** With ultra-high resolution, stunning colour accuracy, and exceptional brightness



Further benefits of All-in-One LED

- **Increased serviceability:** Flexible mounting
- **Unrivalled sustainability:** Delivering uncompromised performance using less power
- **Visually stunning:** Slim panels and super narrow bezel add design aesthetics to your space



Smart Touchscreen, Smart Interaction

Add a new dimension of interactivity with touch screens.

Combining vibrant, high-resolution visuals with responsive touch technology, AIO touch screens are ideal for collaborative environments, interactive presentations, and dynamic digital signage.

- Intuitive interaction, seamless navigation, and versatile applications, enhancing user experience and device functionality
- Smart interactive response with your fingertip or soft pens
- Also supports multi-touch for easy multi-user control
- Space-saving: Eliminate the need for physical keyboards and mice and other control peripherals



All-in-One Plug & Play Specifications

Our portfolio of high-brightness displays spans 5 sizes, ranging from 110 to 165 inches.

SLT110



2454 x 1505, P1.27 1080HD

SLT138



3064 x 1848, P1.59 1080HD

SLT162



3600 x 2025, P1.8 1080HD

SLT165



3674 X 2190, P1.9 1080HD

SLT135 (touchscreen)



3000 X 1687.5, P1.57 1080HD

Available in wall mount and floor stand options.

Please note that product specifications may vary according to different configurations.

All rights reserved.

Let's talk

LEDTeam@solsticeav.com

01684 252760

